



UNIT 7, 11-17 Canvale Road
PO BOX 1616
Canning Vale WA 6155

ORDERS / ENQUIRIES:
PHONE: 08 9455 7255
FAX: 08 9455 7244
www.locksafe.com.au

ACCOUNTS / ENQUIRIES:
PO BOX 569
Singleton NSW 2330

Phone: 02 6571 1232
Fax: 02 6571 1368

Gremarnig Holdings
Pty Ltd
Trading as
**Locksafe Industrial
Safety Equipment**
ABN: 24 109 254 293
ACN: 109 254 293

LS17151 Trigger Switch

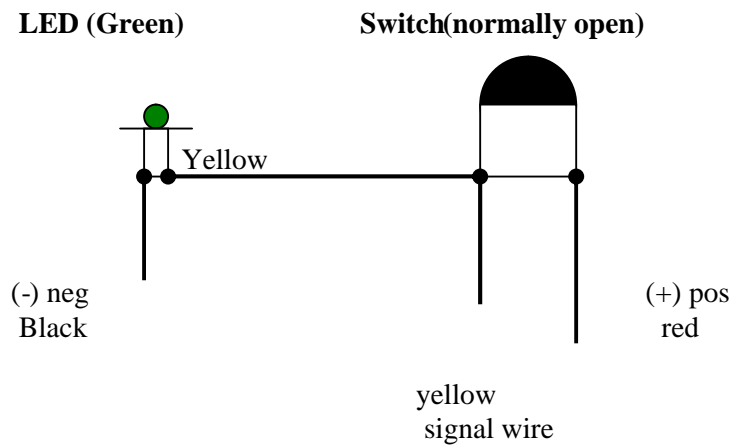
Fitting Instructions

Unit to be mounted where the unit will not be directly exposed to high pressure cleaning. Unit can be mounted vertically or horizontally to the retaining position or clipped into position to activate the switch.

(switch “ON” position).

Connect the wires so when the switch contacts are made the LED comes on.

The holes are positioned so that if locked or a P clip inserted the switch will remain closed, when the handle is in position.



Switch Specifications:

Britax – Cole Hersee Part No. 90030 60 amp

Rubber Cap and Mounting.

Nut assembly protects operating shaft against moisture, dirt, etc. Mounting stem 5/8”.

Warranty. All Locksafe Products are guaranteed for a period of six months against faulty workmanship and materials. However proprietary components utilized are chosen with stringent performance criteria requirements but are never the less subject to the component manufacturers operational parameters and warranty.

NOTE Isolator switch failures due to heavy vibration are not covered under warranty. Installers must utilize suitable vibration dampening mounting products.

